

Striegel Maschinenbau

Inh. Klaus Striegel
Niedere Straße 36

34519 Diemelsee-Flehtdorf
Telefon 0 56 33/8 66, Fax 58 85



comer industries

SPARE PARTS LIST

Rigide Drive Axle

SERIES

040

P/N 890417.B001


COMER INDUSTRIES

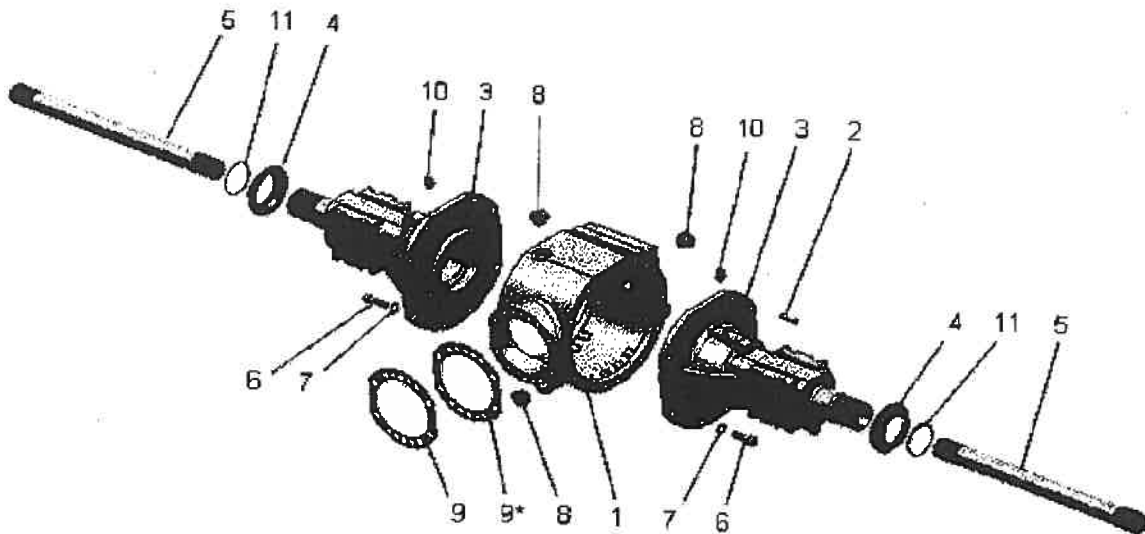
B.U. Axles & Wheel Drive Units

Via Magellano, 37 - I-42046 Reggio (RE) Italy

Tel. +39 0522 211611 - Fax +39 0522 211601

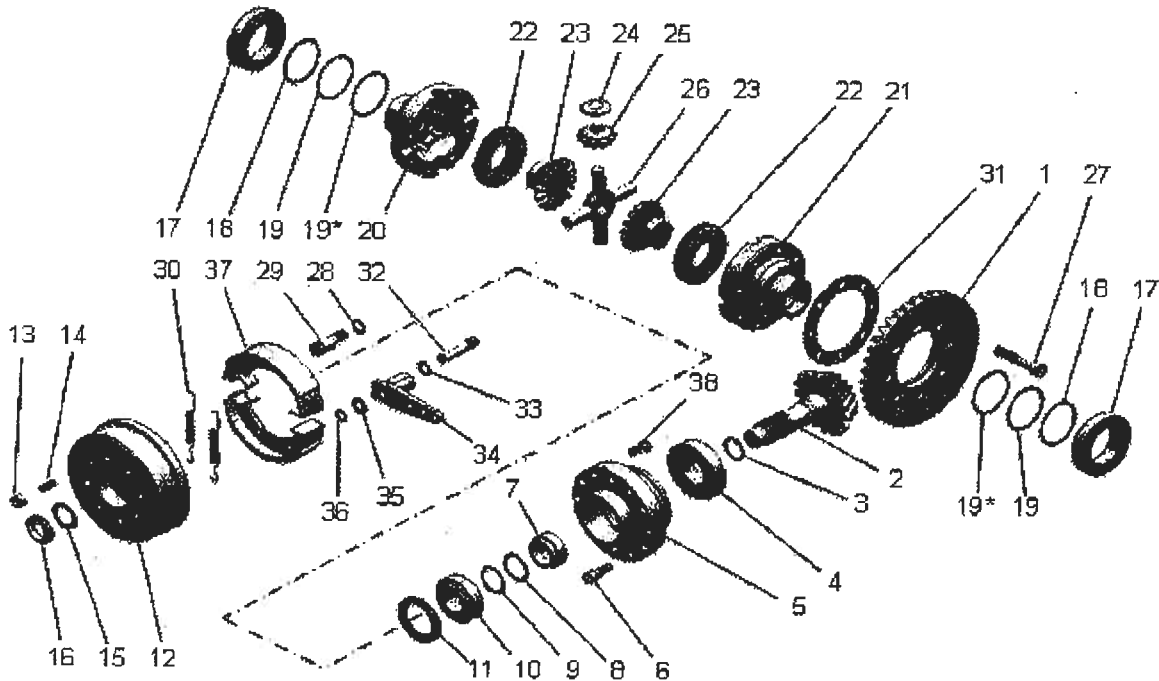
Vordradse 190DyA / 300DyA

	<p>Drive axle series 040 P/N 890417.B001</p>	<p>Issue date: 07/11 Revision: 00 Issued by: UTP Checked by: UTP</p>
---	--	--




Pos.	Part number	Description	Q.ty	Pos.	Part number	Description	Q.ty
1	0000.092.423	Central housing	1				
2	0655.001.028	Parallel pin Ø10x30	6				
3	0000.092.832	Lateral housing	2				
4	000.106.791	Spacer	2				
5	0000.111.695	Drive shaft	2				
6	0013.012.035	Screw M12x35	16				
7	0510.000.130	Washer	16				
8	3124.000.022	Plug M22x1,5 DIN 906	1				
8*	3123.000.022	Plug M22x1,5 DIN 909	2				
9	0000.180.265	Paper gasket 0,1	1				
9*	0000.180.199	Paper gasket 0,2	2				
10	9510.018.070	Bleeder	2				
11	8.7.6.00587	O-ring 3218	2				

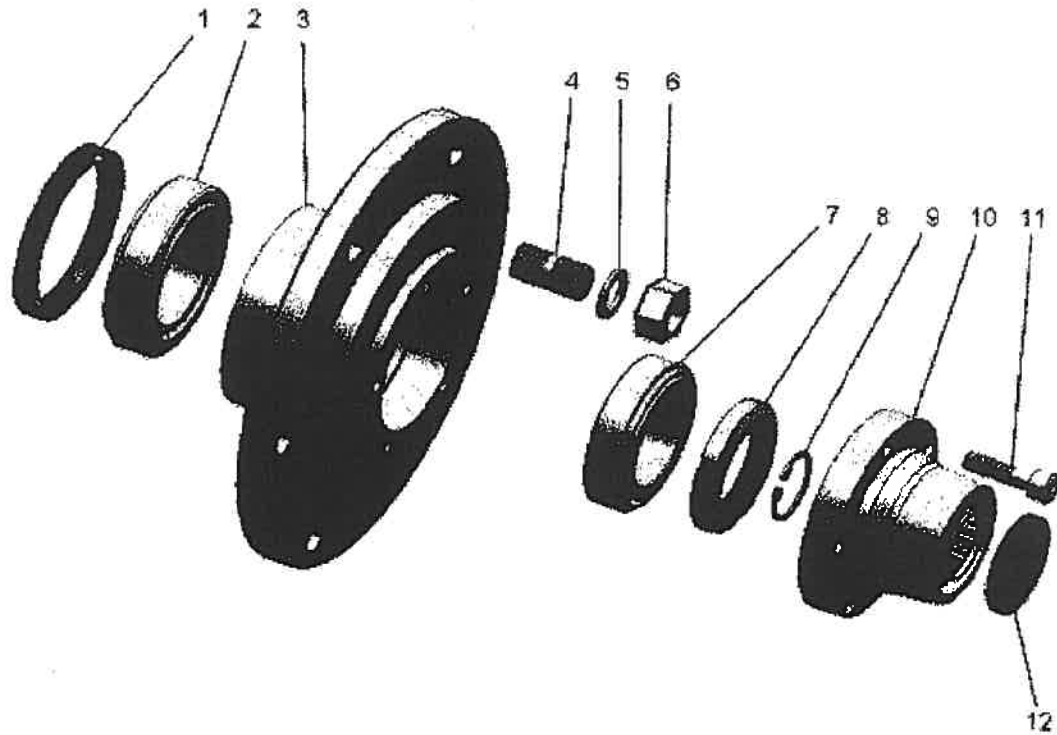
	Drive axle series 040 P/N 890417.B001	Issue date: 07/11
		Revision: 00
		Issued by: UTP
		Checked by: UTP



Pos.	Part number	Description	Q.ty
504.774 Pinion assembly			1
2	0000.178.136	Bevel pinion Z=9	1
3	1120.000.086	O-ring 4112	1
4	8.0.9.00128	Taper rolling bearing 30308	1
5	0000.094.441	Pinion Housing	1
7	0000.106.806	Spacer	1
8	0780.010.028	Shim PS 35x45x0,1	/
9	0780.030.268	Shim PS 35x45x0,3	/
10	8.0.9.00127	Taper rolling bearing 32207	1
11	8.7.1.01097	Oil seal BASL 50x72x8	1
12	0000.094.541	Flange with brake drum	1
15	0872.000.407	Shim AS 3047	1
16	0620.000.030	Self-lock nut GP M30x1,5	1
14	9390.308.000	Stud bolt M10x25	4
6	9540.380.102	Socket screw M12x45 12.9	10
13	0220.000.010	Self lock nut M10	4
17	8.0.9.01550	Taper roller bearing 30210	2
18	0000.155.412	Shim ø61x70x0,1	/
19	0000.155.413	Shim ø61x70x0,3	/
19*	0000.155.428	Shim ø61x70x05	/

Pos.	Part number	Description	Q.ty
504.538 Differential assembly			1
1	0000.178.137	Bevel ring gear Z=37	1
20-21	0000.089.506	Diff. half housing	1
22	9160.130.050	LSD Friction discs	2
23	0000.176.055	Crown Wheel	2
24	0000.155.407	Side pinion shim	4
25	0000.176.053	Side pinion	4
26	0000.094.423	Spider	1
27	0013.014.070	Socket screw M14x70 12.9	8
030.456 Drum brake assembly			1
30	0000.220.201	Spring	2
34	0000.030.460	Brake lever	1
35	0000.111.621	Friction washer	1
36	0740.000.014	Snap ring E14 230-150H	1
37	0000.030.459	Brake shoe pair	1
29	0000.111.720	Brake fulcrum pin	1
32	0000.111.620	Brake lever pin	1
33	0872.000.403	Friction washer	1

 comer industries	Drive axle series 040 P/N 890417.B001	Issue date: 07/11
		Revision: 00
		Issued by: UTP
		Checked by: UTP



Pos.	Part number	Description	Q.ty
	504.205	Wheel hub ass'y	1+1
1	1111.000.155	Oil seal BASL 70x90x10	1
2	8.0.9.00986	Bearing 32011X	1
3	0000.094.492	Wheel hub	1
7	8.0.9.01241	Bearing 32010X	1

Pos.	Part number	Description	Q.ty
4	2292.018.035	Stud bolt M18x1,5 10.9	12
5	0435.000.018	Elastic washer D18	12
6	0266.001.815	Nut M18x1,5 MF	12
8	0620.000.050	Nut M50x1,5	2
11	0013.010.035	Socket head screw M10x35	10

Pos.	Part number	Description	Q.ty
	504.300	Wheel hub ass'y	1+1
9	8.5.2.01578	Anello elast. Sic. x fori 32	1
10	0000.094.551	Flange	1
12	8.7.0.00693	Cap	1